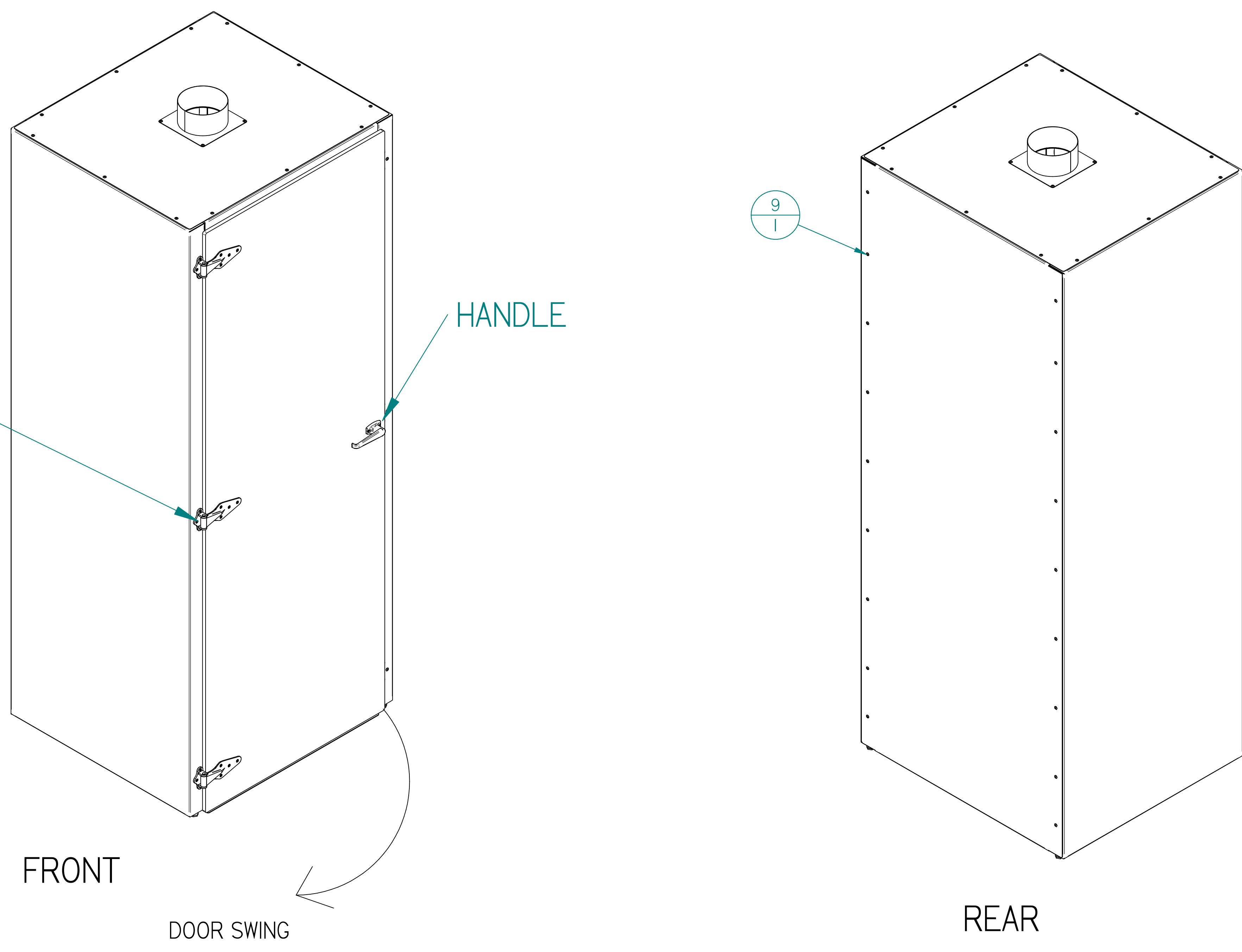


REV	DESCRIPTION	DATE	ECN #	APPR
A	INITIAL RELEASE	00-XXX-19	XXXXX	MM
E	HOLE SIZE CHANGED	14-JUN-22	1101	JJ



HINGES  
(3 PLACES)

HANDLE

9  
|

FRONT

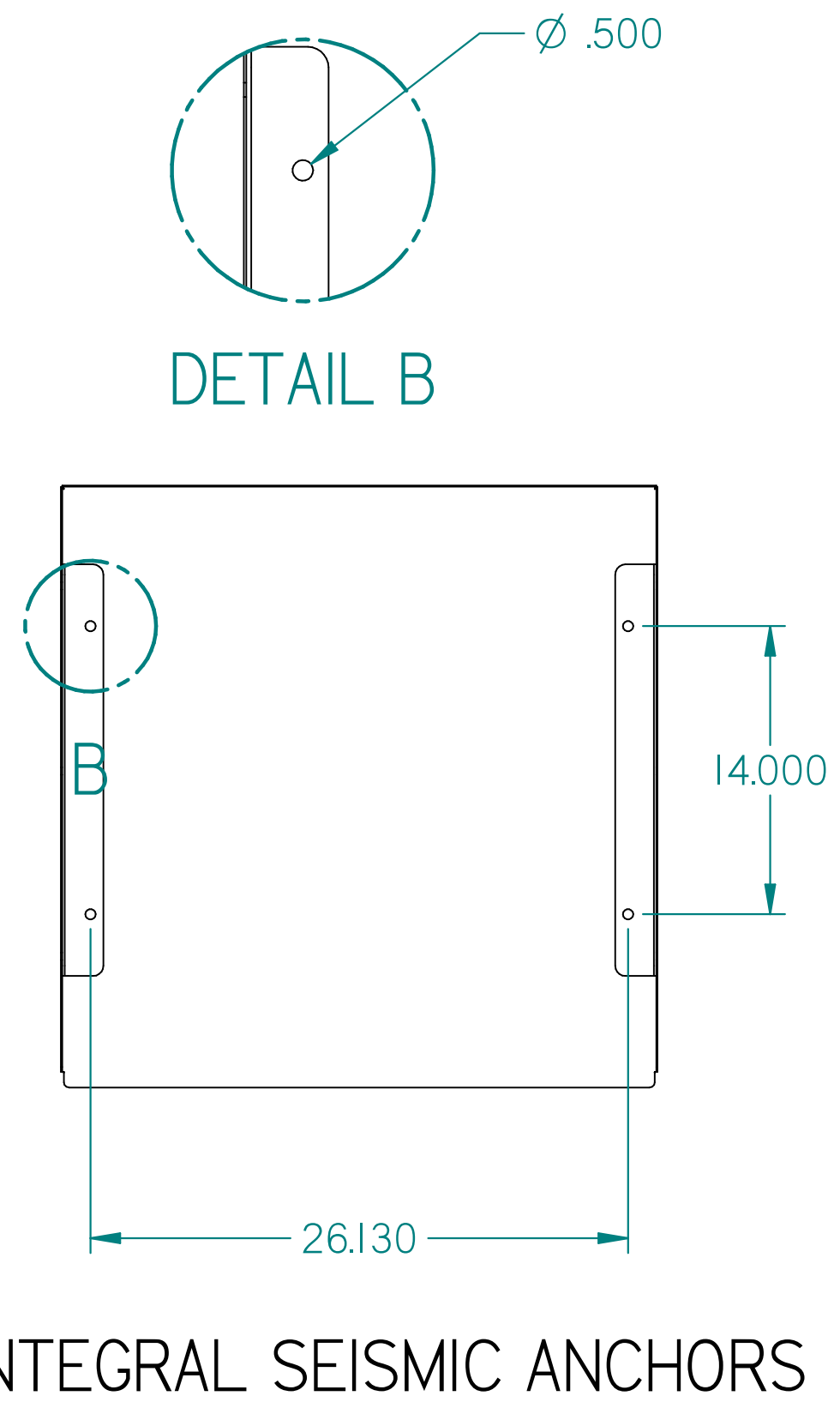
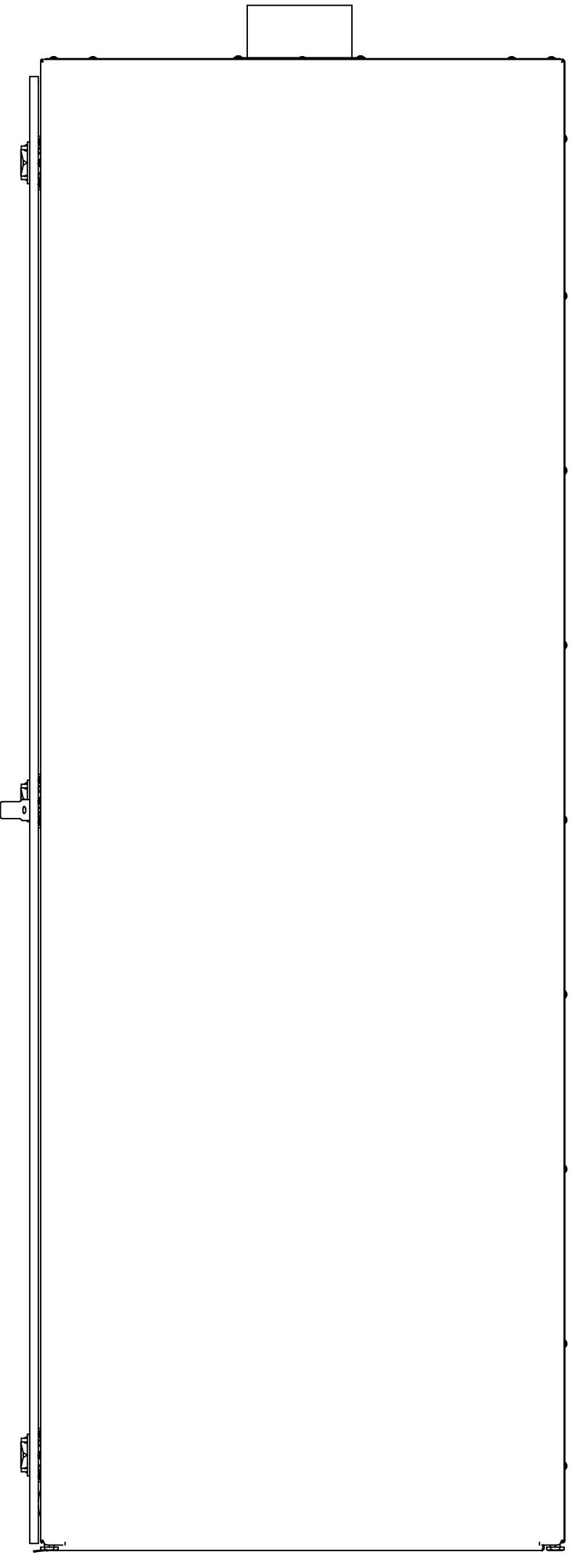
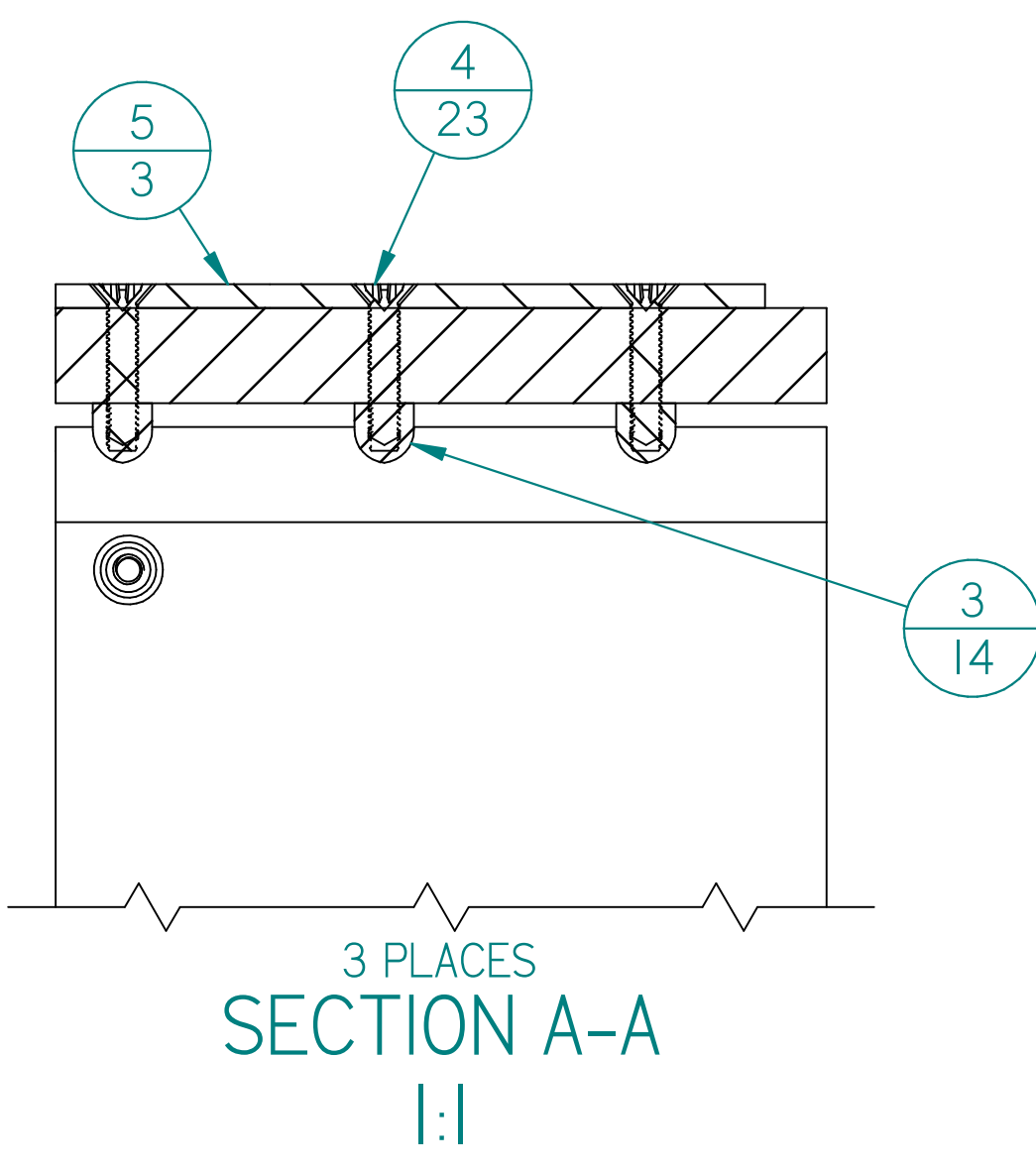
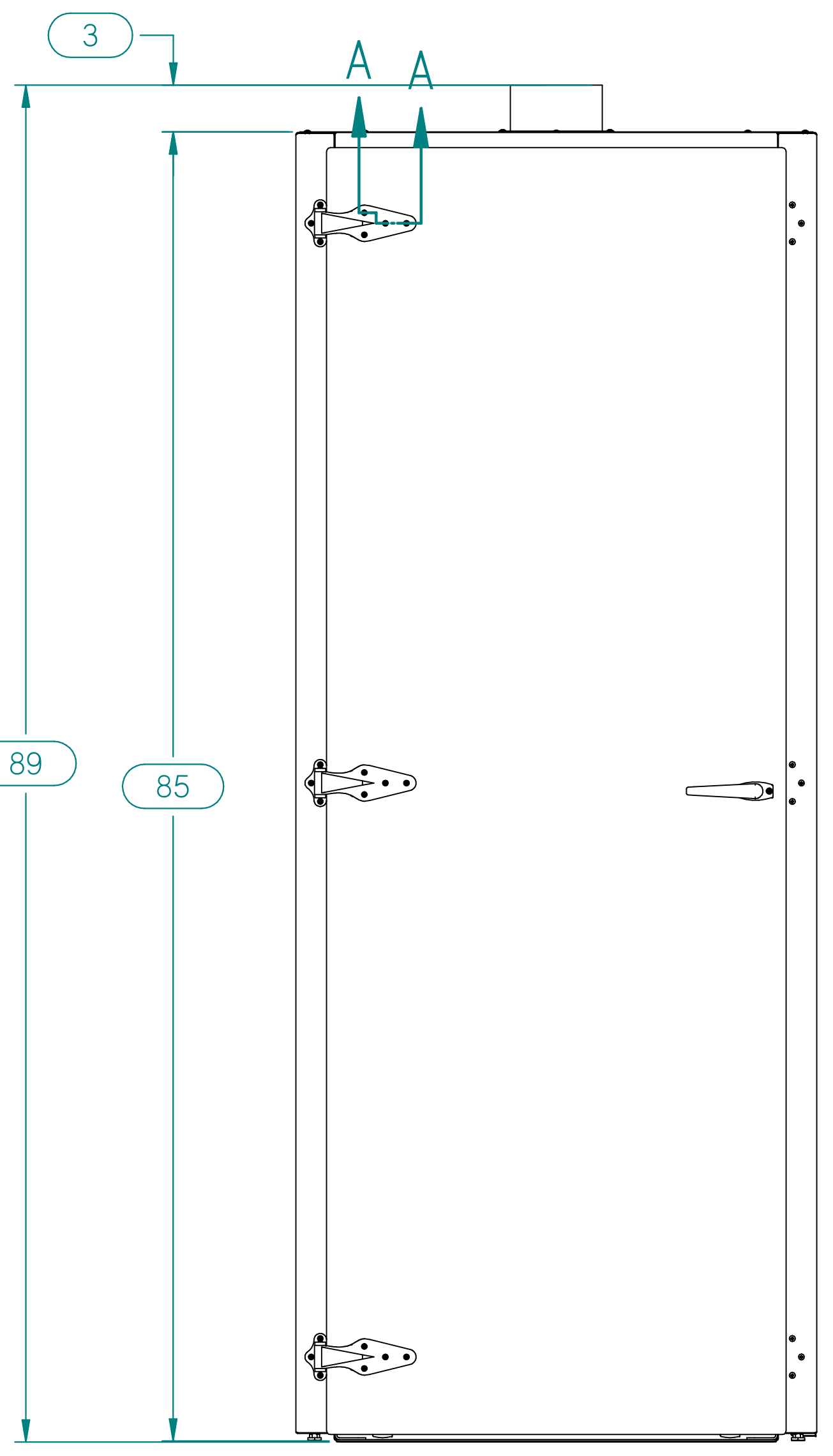
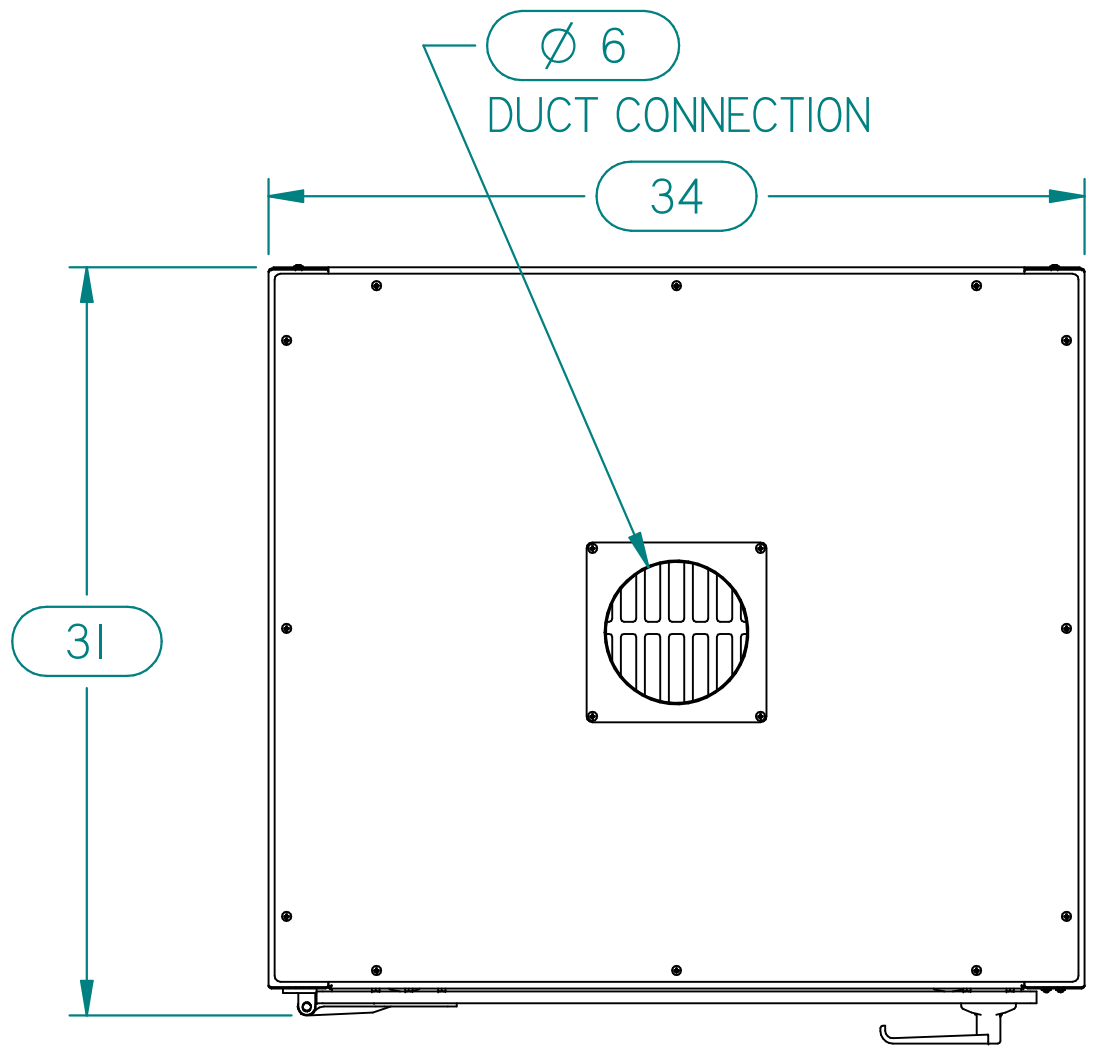
DOOR SWING

REAR

<p>THIS DOCUMENT CONTAINS PROPRIETARY INFORMATION OF MOPEC, AND MAY NOT BE COPIED IN WHOLE OR PART, AND NO USE SHALL BE MADE OF IT OTHER THAN FOR WHICH IT HAS BEEN SUBMITTED WITHOUT THE WRITTEN PERMISSION OF A MOPEC MANAGER</p> <p>MOPEC 2021</p>	<p>UNLESS OTHERWISE SPECIFIED ALL DIMENSIONS IN INCHES</p> <p>TOLERANCES</p> <table border="0"> <tr> <td>0.0</td> <td>± 0.1 in</td> </tr> <tr> <td>0.00</td> <td>± 0.05 in</td> </tr> <tr> <td>0.000</td> <td>± 0.010 in</td> </tr> <tr> <td>0.0000</td> <td>± 0.0010 in</td> </tr> <tr> <td>ANGLES</td> <td>± 0.5°</td> </tr> </table> <p>BREAK ALL CORNERS 0.063 X 45° ALL FILLET RADII R0.063 / 0.125 in INSPECT OVAL DIMENSIONS</p>	0.0	± 0.1 in	0.00	± 0.05 in	0.000	± 0.010 in	0.0000	± 0.0010 in	ANGLES	± 0.5°	<p>MATERIAL</p> <p>MATERIAL USAGE</p> <p>Error: No reference</p> <p>FINISH</p> <p>Error: No reference</p>	<p><b>MOPEC GROUP</b></p> <p><b>MOPEC MORTTECH</b> MANUFACTURING</p>	<p>DRAWN BY: jrudolph</p> <p>DATE: 8/2/2022</p>	<p>PART NUMBER: LD500L-E</p>
		0.0	± 0.1 in												
0.00	± 0.05 in														
0.000	± 0.010 in														
0.0000	± 0.0010 in														
ANGLES	± 0.5°														
<p>CHECKED BY: ---</p> <p>DATE: 8/2/2022</p>	<p>DESCRIPTION: LD500 LEFT HAND SWING ASSEMBLY</p>														
<p>DRAWN TO 3RD ANGLE PROJECTION</p>				<p>APPROVED BY: MMcCLAIN</p> <p>DATE: 8/2/2022</p>	<p>SIZE: A2</p> <p>FILE NAME: LD500L-E SPEC SHEET.dft</p>										
				<p>SCALE: 1:8</p>	<p>DO NOT SCALE IF IN DOUBT ASK</p>										
				<p>SHEET 1 OF 4</p>											

\*LD500L-E SPEC SHEET.dft\*

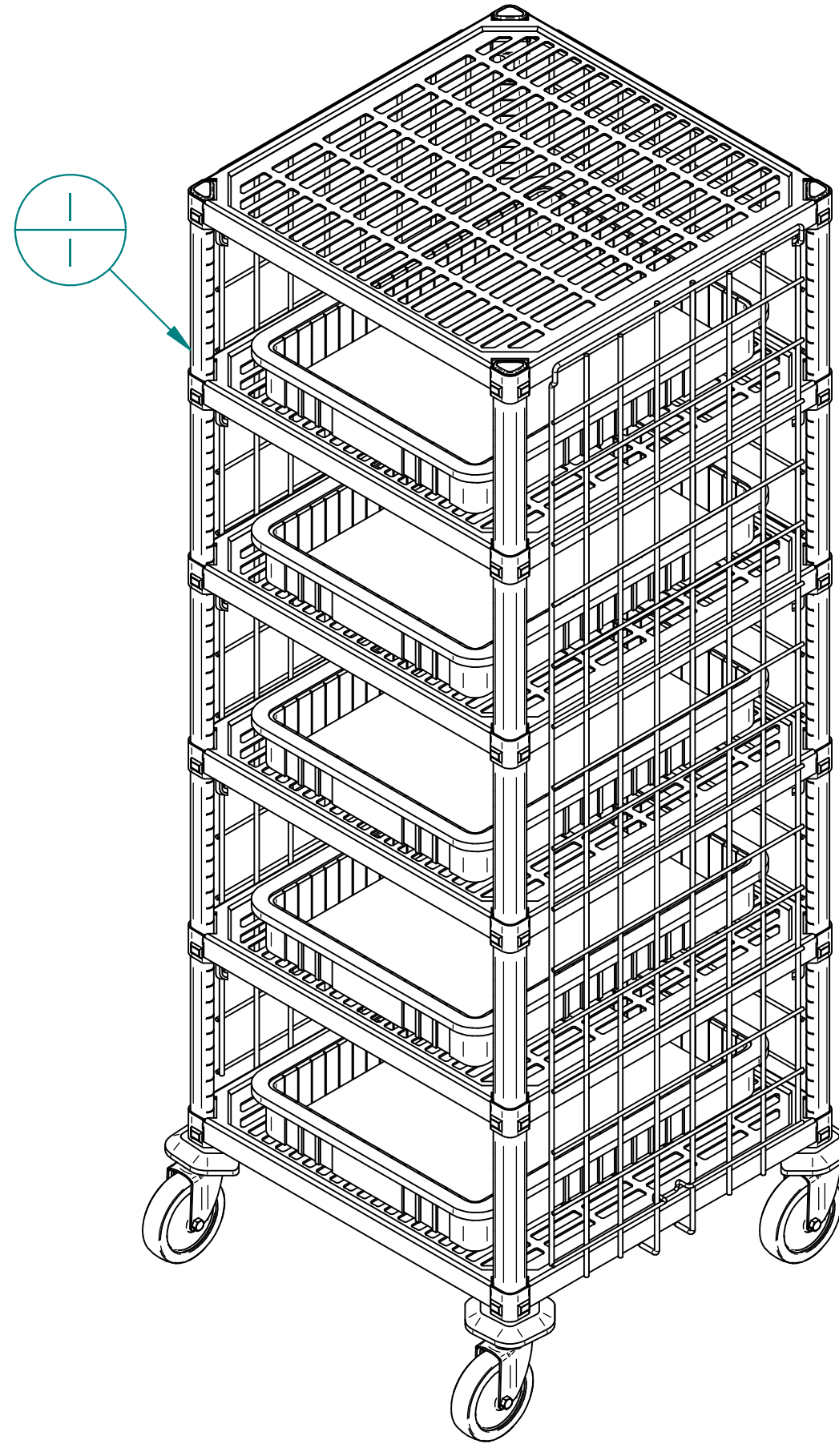
REV	DESCRIPTION	DATE	ECN #	APPR
A	INITIAL RELEASE	00-XXX-19	XXXXX	MM
E	HOLE SIZE CHANGED	14-JUN-22	1101	JJ



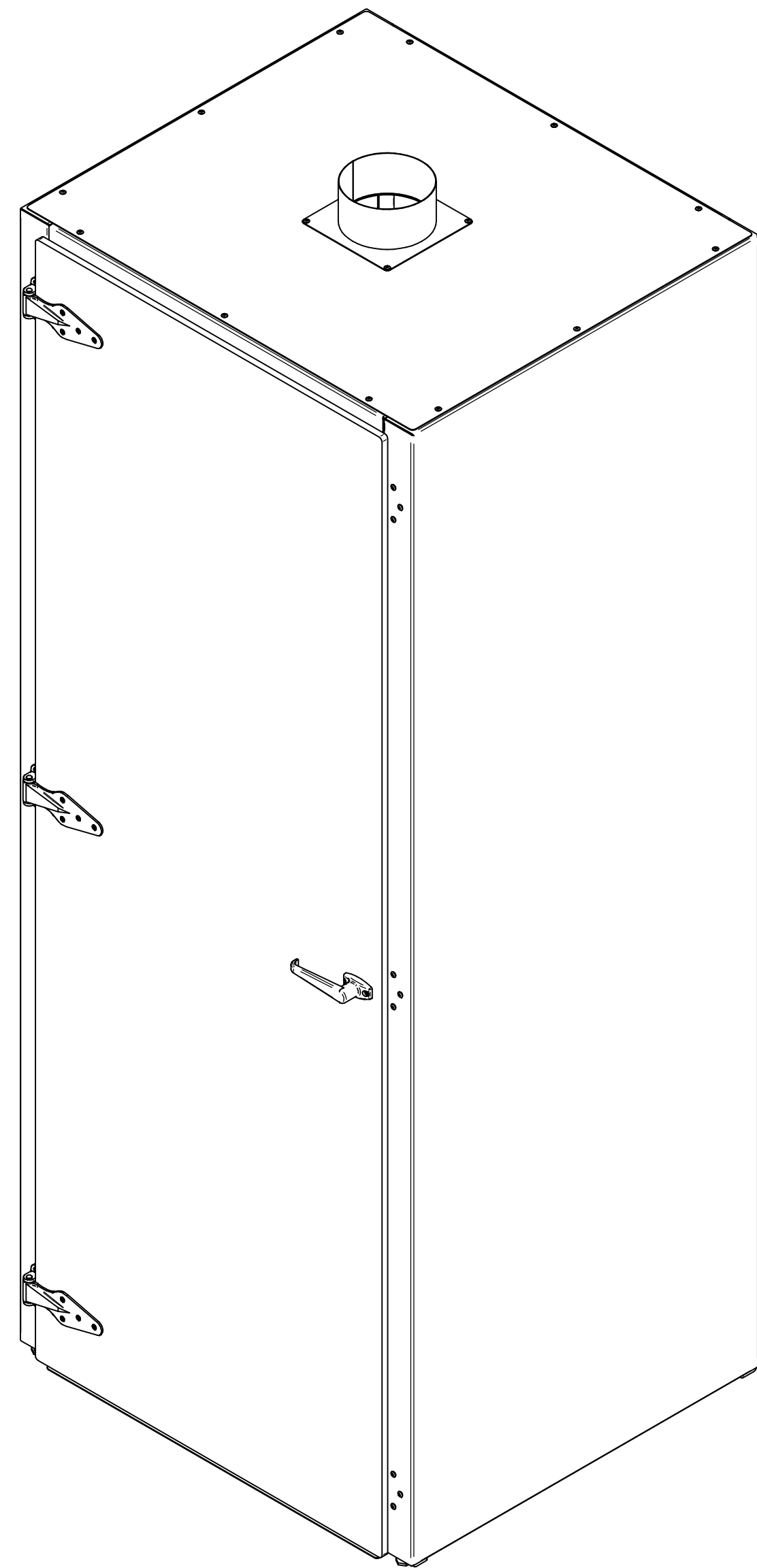
<p>THIS DOCUMENT CONTAINS PROPRIETARY INFORMATION OF MOPEC, AND MAY NOT BE COPIED IN WHOLE OR PART, AND NO USE SHALL BE MADE OF IT OTHER THAN FOR WHICH IT HAS BEEN SUBMITTED WITHOUT THE WRITTEN PERMISSION OF A MOPEC MANAGER</p> <p>MOPEC 2021</p>	<p>UNLESS OTHERWISE SPECIFIED ALL DIMENSIONS IN INCHES</p> <p>TOLERANCES</p> <table border="0"> <tr> <td>0.0</td> <td>± 0.1 in</td> </tr> <tr> <td>0.00</td> <td>± 0.05 in</td> </tr> <tr> <td>0.000</td> <td>± 0.010 in</td> </tr> <tr> <td>0.0000</td> <td>± 0.0010 in</td> </tr> <tr> <td>ANGLES</td> <td>± 0.5°</td> </tr> </table> <p>BREAK ALL CORNERS 0.063 X 45° ALL FILLET RADII R0.063 / 0.125 in INSPECT OVAL DIMENSIONS</p>	0.0	± 0.1 in	0.00	± 0.05 in	0.000	± 0.010 in	0.0000	± 0.0010 in	ANGLES	± 0.5°	<p>MATERIAL</p> <p>MATERIAL USAGE</p> <p>Error: No reference</p> <p>FINISH</p> <p>Error: No reference</p>	<p>MOPEC GROUP</p> <p>MORTECH MANUFACTURING</p> <p>DRAWN TO 3RD ANGLE PROJECTION</p>	<p>DRAWN BY: jrudolph</p> <p>DATE: 8/2/2022</p>	<p>PART NUMBER: LD500L-E</p>
		0.0	± 0.1 in												
0.00	± 0.05 in														
0.000	± 0.010 in														
0.0000	± 0.0010 in														
ANGLES	± 0.5°														
<p>CHECKED BY:</p> <p>DATE: 8/2/2022</p>	<p>DESCRIPTION: LD500 LEFT HAND SWING ASSEMBLY</p>														
<p>APPROVED BY: MMcCLAIN</p> <p>DATE: 8/2/2022</p>	<p>SIZE: A2</p> <p>SCALE: 1:8</p>	<p>FILE NAME: LD500L-E SPEC SHEET.dft</p> <p>REVISION: E</p>	<p>DO NOT SCALE IF IN DOUBT ASK</p>	<p>SHEET 2 OF 4</p>											

\*LD500L-E SPEC SHEET.dft\*

REV	DESCRIPTION	DATE	ECN #	APPR
A	INITIAL RELEASE	00-XXX-19	XXXXX	MM
E	HOLE SIZE CHANGED	14-JUN-22	1101	JJ



LD501

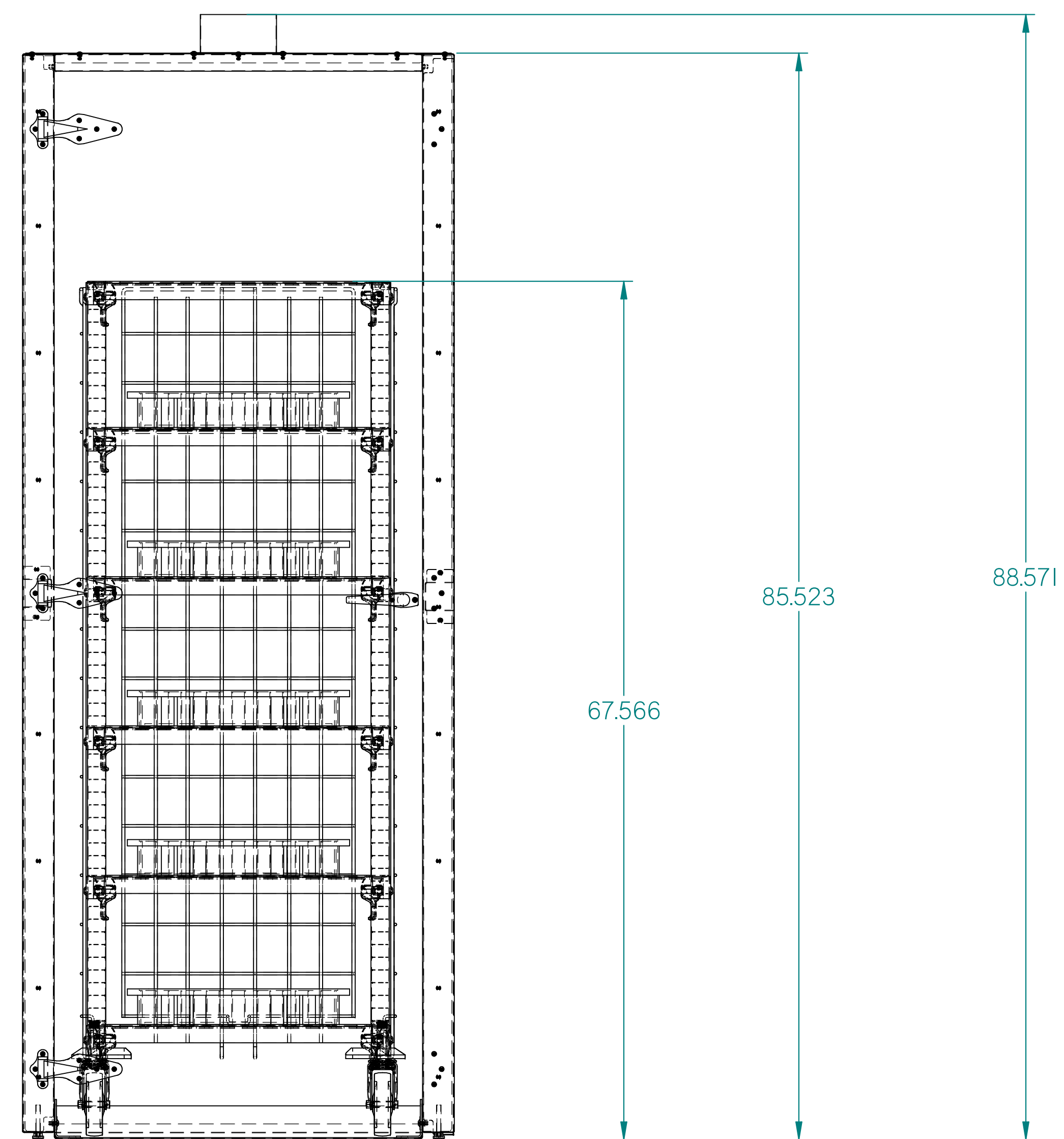
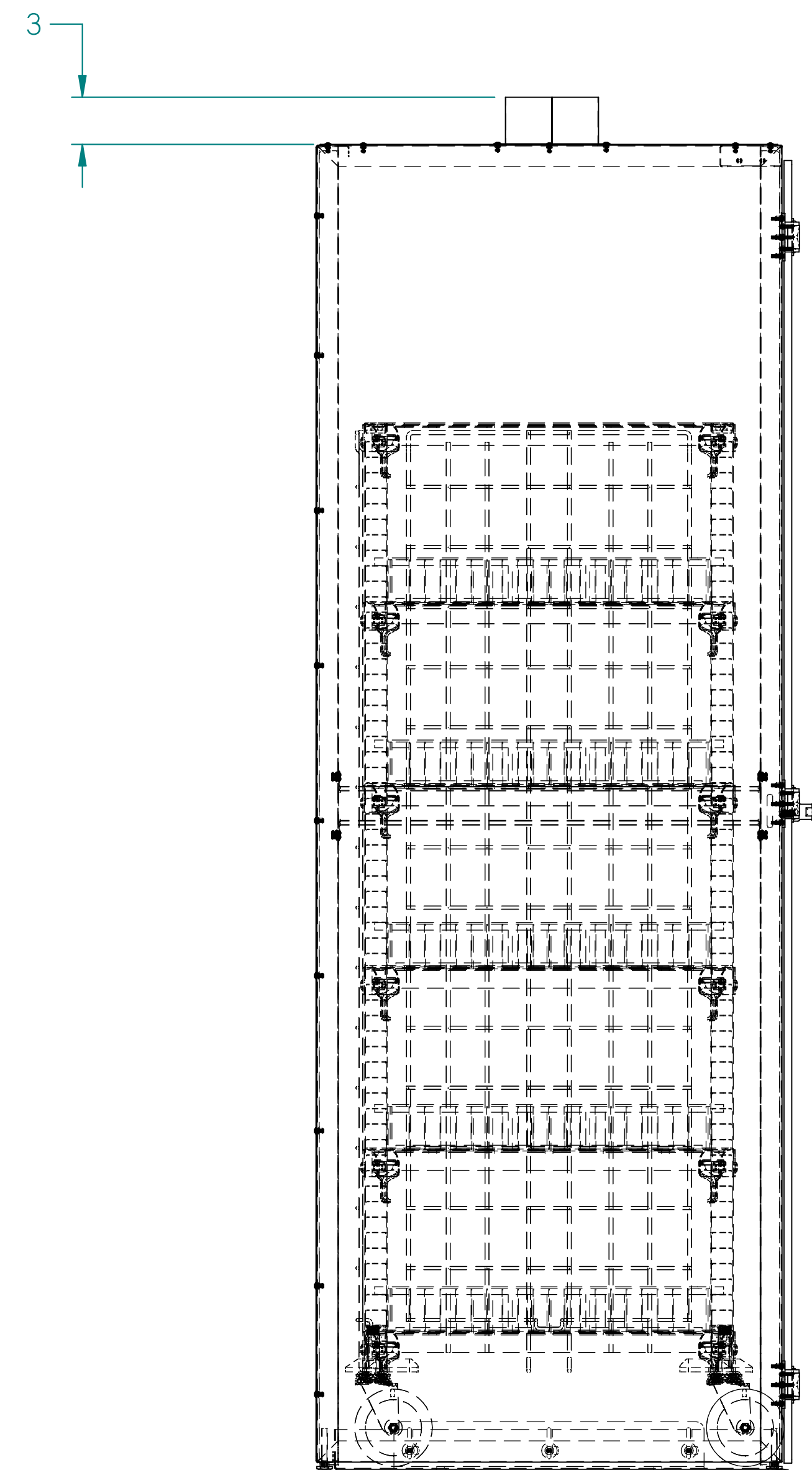
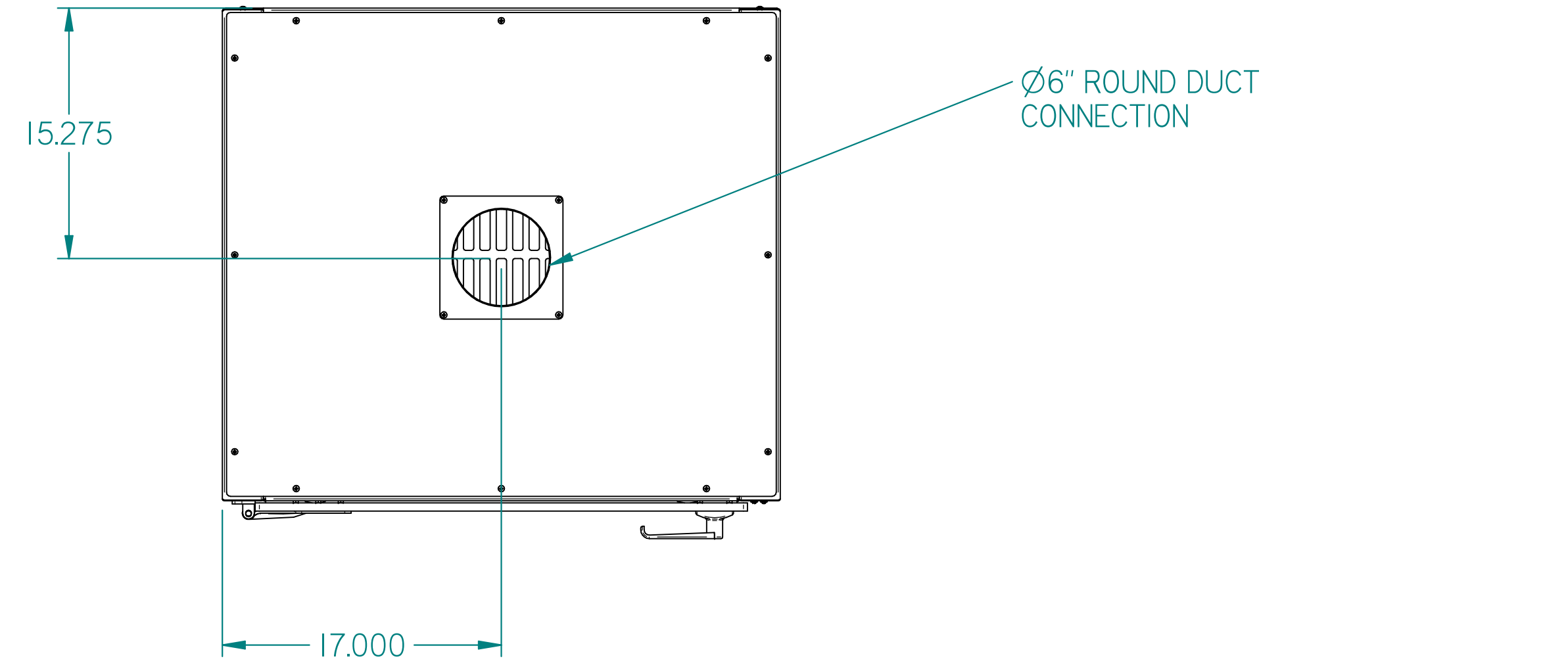


LD500L

<p>THIS DOCUMENT CONTAINS PROPRIETARY INFORMATION OF MOPEC, AND MAY NOT BE COPIED IN WHOLE OR PART, AND NO USE SHALL BE MADE OF IT OTHER THAN FOR WHICH IT HAS BEEN SUBMITTED WITHOUT THE WRITTEN PERMISSION OF A MOPEC MANAGER</p> <p>MOPEC 2021</p>	<p>UNLESS OTHERWISE SPECIFIED ALL DIMENSIONS IN INCHES</p> <p>TOLERANCES</p> <table> <tr><td>0.0</td><td>± 0.1 in</td></tr> <tr><td>0.00</td><td>± 0.05 in</td></tr> <tr><td>0.000</td><td>± 0.010 in</td></tr> <tr><td>0.0000</td><td>± 0.0010 in</td></tr> <tr><td>ANGLES</td><td>± 0.5°</td></tr> </table> <p>BREAK ALL CORNERS 0.063 X 45° ALL FILLET RADII R0.063 / 0.125 in INSPECT OVAL DIMENSIONS</p>	0.0	± 0.1 in	0.00	± 0.05 in	0.000	± 0.010 in	0.0000	± 0.0010 in	ANGLES	± 0.5°	<p>MATERIAL</p> <p>MATERIAL USAGE</p> <p>Error: No reference</p> <p>FINISH</p> <p>Error: No reference</p>	<p><b>MOPEC GROUP</b></p> <p><b>MOPEC MORTECH</b> MANUFACTURING</p>	<p>DRAWN BY: jrudolph DATE: 8/2/2022</p> <p>CHECKED BY: --- DATE: 8/2/2022</p> <p>APPROVED BY: MMcCLAIN DATE: 8/2/2022</p>	<p>PART NUMBER: LD500L-E</p> <p>DESCRIPTION: LD500 LEFT HAND SWING ASSEMBLY</p> <p>SIZE: A2</p> <p>SCALE: 1:8</p>	<p>FILE NAME: LD500L-E SPEC SHEET.dft</p> <p>REVISION: E</p> <p>DO NOT SCALE IF IN DOUBT ASK</p>	<p>SHEET 3 OF 4</p>
	0.0	± 0.1 in															
0.00	± 0.05 in																
0.000	± 0.010 in																
0.0000	± 0.0010 in																
ANGLES	± 0.5°																
<p>UNLESS OTHERWISE SPECIFIED ALL DIMENSIONS IN INCHES</p>		<p>DRAWN TO 3RD ANGLE PROJECTION</p>		<p>DO NOT SCALE IF IN DOUBT ASK</p>													

\*LD500L-E SPEC SHEET.dft\*

REV	DESCRIPTION	DATE	ECN #	APPR
A	INITIAL RELEASE	00-XXX-19	XXXXX	MM
E	HOLE SIZE CHANGED	14-JUN-22	1101	JJ



<p>THIS DOCUMENT CONTAINS PROPRIETARY INFORMATION OF MOPEC, AND MAY NOT BE COPIED IN WHOLE OR PART, AND NO USE SHALL BE MADE OF IT OTHER THAN FOR WHICH IT HAS BEEN SUBMITTED WITHOUT THE WRITTEN PERMISSION OF A MOPEC MANAGER</p> <p>MOPEC 2021</p>	<p>UNLESS OTHERWISE SPECIFIED ALL DIMENSIONS IN INCHES</p> <p>TOLERANCES</p> <table> <tr><td>0.0</td><td>± 0.1 in</td></tr> <tr><td>0.00</td><td>± 0.05 in</td></tr> <tr><td>0.000</td><td>± 0.010 in</td></tr> <tr><td>0.0000</td><td>± 0.0010 in</td></tr> <tr><td>ANGLES</td><td>± 0.5°</td></tr> </table> <p>BREAK ALL CORNERS 0.063 X 45° ALL FILLET RADII R0.063 / 0.125 in INSPECT OVAL DIMENSIONS</p>	0.0	± 0.1 in	0.00	± 0.05 in	0.000	± 0.010 in	0.0000	± 0.0010 in	ANGLES	± 0.5°	<p>MATERIAL</p> <p>MATERIAL USAGE</p> <p>Error: No reference</p> <p>FINISH</p> <p>Error: No reference</p>	<p><b>MOPEC GROUP</b></p> <p><b>MORTECH</b></p> <p>MANUFACTURING</p>	<p>DRAWN BY: jrudolph</p> <p>DATE: 8/2/2022</p>	<p>PART NUMBER: LD500L-E</p>
		0.0	± 0.1 in												
0.00	± 0.05 in														
0.000	± 0.010 in														
0.0000	± 0.0010 in														
ANGLES	± 0.5°														
<p>APPROVED BY: M.McCLAIN</p> <p>DATE: 8/2/2022</p>	<p>DESCRIPTION: LD500 LEFT HAND SWING ASSEMBLY</p>														
<p>DRAWN TO 3RD ANGLE PROJECTION</p>				<p>CHECKED BY: ---</p> <p>DATE: ---</p>	<p>SIZE: A2</p> <p>FILE NAME: LD500L-E SPEC SHEET.dft</p>										
				<p>SCALE: 1:7.69</p>	<p>DO NOT SCALE IF IN DOUBT ASK</p>										
				<p>SHEET 4 OF 4</p>											

\*LD500L-E SPEC SHEET.dft\*